

# Novelties

## Sensors & Lights

Light & Building 2026



 steinel

# Solutions for tomorrow.

As a leading provider of intelligent solutions for sensor technology, lighting and building automation, we work on visionary ideas every day. Ideas that become solutions. Solutions that improve tomorrow. Improvements that mean more efficiency, more sustainability and more comfort.

On the following pages, we show you how we see the future today - and how we are shaping tomorrow with shaping tomorrow with intelligent solutions. In our endeavour to find forward-looking solutions for the best possible tomorrow. We can't help it. We love progress.

**We are "The inventors' company".**



# Table of contents

## Sensors

<b>EO</b>	06
<b>Multisensor EO</b>	08
<b>DALI-2 LuxMaster</b>	10
<b>Multisensor 4000er series</b>	12
<b>nexx.IS PRO Serie</b>	14

## Lights

<b>RS PRO 6100/6150 circular SC</b>	18
<b>RS PRO 5500/5550 SC</b>	20
<b>RS PRO 3100 S</b>	22
<b>XLED PRO Expanse SC</b>	24

## System components

<b>KNX</b>	28
<b>DALI-2</b>	30
<b>Bluetooth</b>	31
<b>STEINEL LiveLink</b>	32
<b>Capstone</b>	34

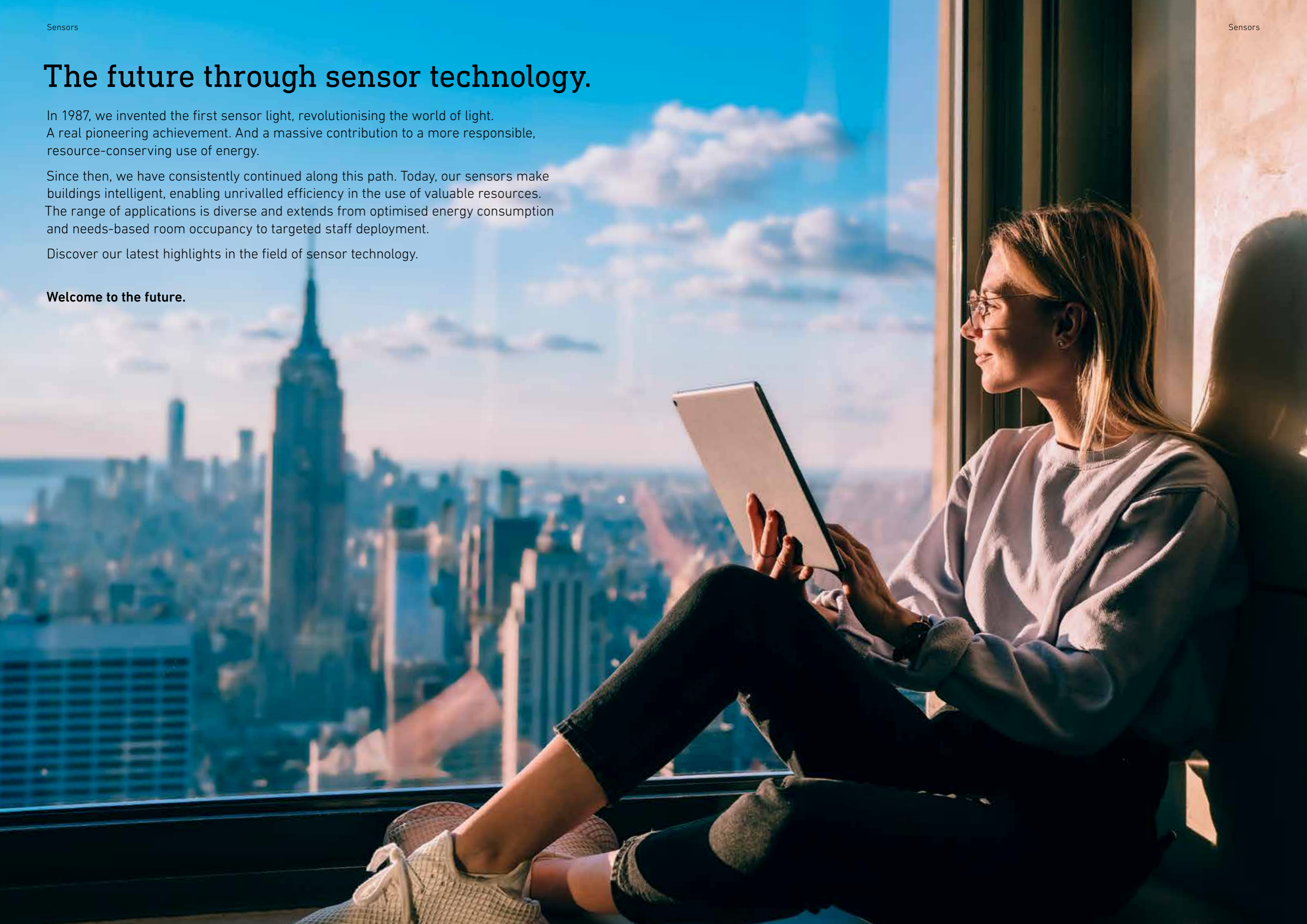
# The future through sensor technology.

In 1987, we invented the first sensor light, revolutionising the world of light. A real pioneering achievement. And a massive contribution to a more responsible, resource-conserving use of energy.

Since then, we have consistently continued along this path. Today, our sensors make buildings intelligent, enabling unrivalled efficiency in the use of valuable resources. The range of applications is diverse and extends from optimised energy consumption and needs-based room occupancy to targeted staff deployment.

Discover our latest highlights in the field of sensor technology.

**Welcome to the future.**



# EO. Smart Space Sensor with many detection variables.

From the ceiling, our new Smart Space Sensor detects, localises and counts all the people in the room. Privacy is always guaranteed. This is because the innovative passive infrared matrix sensor does not have a camera and therefore cannot identify people.

Keyword: privacy by design.

How does it work? Via a heat matrix. All existing temperatures are precisely recorded in a precisely adjustable room area of up to 40 square metres. The data obtained is analysed using intelligent software based on the latest AI algorithms. It can be used to precisely identify and locate human heat radiation.

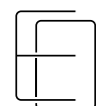
The new technology opens up a wide range of possible applications.

For example in the following areas

- Office space optimisation - people counting, workplace occupancy, flex-desk planning
- Real estate management - optimised use of space/buildings
- Safety & Security - Identification of dangerous heat sources
- Retail analytics - checkout rush, staff planning, optimisation of shelves and walkways
- Elderly Care - Patient Safety
- HVAC - room temperature measurement and improvement of indoor air quality and much more.



EO



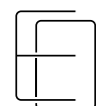
				<b>Technical data</b> Dimensions FM .....103 x 103 x 49 mm Dimensions SM .....123 x 123 x 45 mm Sensor type..... Infrared matrix Mounting height .....2.50 – 3.50 m Angle of coverage .....360° Detection area (3m height) ..... 8 x 5m Capture matrix..... 420 Fields Detection zones..... max. 10 Protection class.....IP20 Capture variables..... Movement, Presence, EO-People counting and localisation, Brightness, Temperature, Air Humidity  <b>Order details</b> <b>DALI-2 IPD 230V (Available in Q3 2026)</b> Flush-mounted white ..... 4007841 090081 Surface-mounted white..... 4007841 090098  <b>IP</b> Flush-mounted white ..... 4007841 091064 Flush-mounted black ..... 4007841 091088 Surface-mounted white..... 4007841 091071 Surface-mounted black..... 4007841 091095  <b>KNX (Available in Q2 2026)</b> Flush-mounted white ..... 4007841 091101 Flush-mounted black ..... 4007841 091125 Surface-mounted white..... 4007841 091118 Surface-mounted black..... 4007841 091132
Bluetooth Mesh	Setting via app	Number of persons	ID-Tracking	
Zoning	Localisation	Traffic	Fencing	
Brightness	Temperature	Air Humidity	max. 3.50 m	
360°	8x5m at 3m height	Movement	Presence	

# Multisensor E0. Turning rooms into intelligent rooms.

The E0 multisensor sets completely new standards on the way to the intelligent room. In addition to the presence and number of people, brightness, temperature and humidity, it also records the concentration of volatile organic compounds (VOCs), the CO2 value, the air pressure and the noise level in a room area. This information can be combined to calculate values such as the risk of infection, stale air, cosiness and dew point. If this data flows into an HVAC control system, the room and building climate can be optimally adapted to the respective requirements.



Multisensor E0



<p>Bluetooth MESH</p>	<p>Setting via app</p>	<p>Number of persons</p>	<p>ID-Tracking</p>	<p><b>Technical data</b></p> <p>Dimensions UP.....123 x 123 x 50 mm                  Dimensions AP.....145 x 145 x 45 mm                  Sensor type.....Infrared matrix                  Mounting height .....2,50–3,50 m                  Angle of coverage.....360°                  Detection area (3m height) .....8 x 5m                  Capture matrix.....420 Fields                  Detection zones.....max. 10                  Protection class.....IP20                  Capture variables.....Movement, Presence, EO-People counting and localisation, Brightness, Temperature, Air Humidity, CO2, VOC, Noise, Air pressure</p> <p><b>Order details</b></p> <p><b>DALI-2 IPD 230V (Available in Q3 2026)</b>                  Flush-mounted white.....4007841 091149                  Surface-mounted white.....4007841 091156</p> <p><b>IP (Available in Q2 2026)</b>                  Flush-mounted white.....4007841 091163                  Flush-mounted black.....4007841 091187                  Surface-mounted white.....4007841 091170                  Surface-mounted black.....4007841 091194</p> <p><b>KNX (Available in Q2 2026)</b>                  Flush-mounted white.....4007841 091026                  Flush-mounted black.....4007841 091040                  Surface-mounted white.....4007841 091033                  Surface-mounted black.....4007841 091057</p>
<p>Zoning</p>	<p>Localisation</p>	<p>Traffic</p>	<p>Fencing</p>	
<p>Brightness</p>	<p>Temperature</p>	<p>Air Humidity</p>	<p>Air pressure</p>	
<p>VOC</p>	<p>Noise</p>	<p>max. 3.50 m</p>	<p>8x5m at 3m height</p>	

# LuxMaster – DALI-2 Application Controller of the highest class.





LuxMaster stands for the new generation of networked lighting control – DALI-2 controllers that combine bus power supply, sensor technology and intelligent control in a single device. For precise and quickly configurable light management that combines function and design.


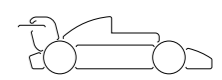
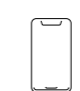
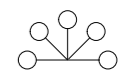
## Special features

- Best detection quality with infrared, high-frequency or TruePresence® technology
- In the application controller, bus power supply, sensor and control unit are combined in one product. In addition, there are plug & play factory settings – it doesn't get any easier.
- All infrared sensors are Sensnorm certified, providing planning reliability for flawlessly functioning and energy-optimized lighting solutions
- Bluetooth Mesh networking makes commissioning significantly easier. In addition, the DALI system gains flexibility. This means that wireless push-buttons, push-button couplers, rotary dimmers or gateways can also be integrated later on – all from a single source!



## Die LuxMaster series:

			
<b>True Presence®</b> • 360° high-frequency sensor • Mounting height max. 12 m • Range Ø 15 m	<b>Hallway</b> • 360° high-frequency sensor • Mounting height max. 4 m • Range 25 × 3 m	<b>HF 360-2</b> • 360° high-frequency sensor • Mounting height max. 4 m • Range Ø 12 m	<b>IR Quattro HD-2 24m</b> • 360° infrared sensor • Mounting height max. 10 m • Range 24 × 24 m
<b>Concealed</b> .....4007841 085599 <b>Surface</b> .....4007841 085582	<b>Concealed</b> .....4007841 086305 <b>Surface</b> .....4007841 086299	<b>Concealed</b> .....4007841 086596 <b>Surface</b> .....4007841 086589	<b>Concealed</b> .....4007841 064358 <b>Surface</b> .....4007841 064365

 <p><b>Easy to plan.</b> The sensors in the LuxMaster series combine bus voltage, sensor, and control in a single device.</p>	 <p><b>Quick commissioning.</b> Even with the factory settings, fully automatic operation with main and basic lighting functions is possible.</p>
 <p><b>Individually customizable.</b> The sensor settings required for the respective requirements can be made via the app.</p>	 <p><b>Flexible in use.</b> The area can be expanded with additional sensors and system components can be integrated via Bluetooth Mesh or DALI bus.</p>

# Multisensor PD 4360-8/ -24

## Multisensor technology for everyday business.

- Ideal for offices, meeting rooms, or passageways
- Includes plug-in cover caps for limiting detection
- Easy to install thanks to round design and modular system with magnetic plug connection
- Additional measurement of temperature and humidity
- Measurement according to sensNORM and external approval



professional line

<p>Infrared sensors with 360° coverage</p>	<p>Range versions with Ø8 m and Ø 24 m</p>	<p>Installation height up to 10m</p>
--	--	--------------------------------------



<p>Temperature</p>	<p>Humidity</p>	<p><b>Technical data</b></p> <p>Mounting height max. .... 10 m</p> <p>Movement (MD+PD) ..... Ø 8 m / Ø 24 m</p> <p>Presence (PD) ..... Ø 2,5 m / Ø 4 m</p> <p>Dimensions flush..... Ø 109 x 70 mm</p> <p>Dimensions surface..... Ø 129 x 65 mm</p> <p>Dimensions In-ceiling..... Ø 109 x 138 mm</p> <p><b>DALI-2 IPD 230V</b></p> <p>Current consumption.....2mA</p> <p><b>DALI-2 IPD</b></p> <p>Power supply .....Dali Bus</p> <p>Power consumption via DALI-2 (12-22.5V C, no SELV): 12mA at 16V input voltage</p> <p>Data supplied..... Movement, lux value</p> <p><b>KNX V4.0</b></p> <p>Current consumption in mA..... 15 mA</p> <p>KNX application .....2x light output (ON/OFF, dimming value scene), KNX-Secure, 2x constant light control with basic lighting, 1x twilight switch, HVAC, presence, logic gate, absence</p> <p> </p> <p>Presence detector, KNX and DALI-2 IPD interface</p> <p><b>3 designs</b></p> <div style="display: flex; justify-content: space-around;"> <div data-bbox="1567 1732 1745 1913"> <p>Surface</p> </div> <div data-bbox="1745 1732 1941 1913"> <p>In-ceiling</p> </div> <div data-bbox="1941 1732 2119 1913"> <p>Concealed</p> </div> </div>
--------------------	-----------------	---

**PD IR 4360-8 (Multisensor, Ø8 m)**  
*(Available in Q3 2026)*

**DALI-2 IPD**

Concealed, white.....	4007841 096953
Concealed, black.....	4007841 096984
Surface, white.....	4007841 096960
Surface, black.....	4007841 096991
In-ceiling, white.....	4007841 096977
In-ceiling, black.....	4007841 097004

**DALI-2 IPD 230V**

Concealed, white.....	4007841 097257
Concealed, black.....	4007841 097288
Surface, white.....	4007841 097264
Surface, black.....	4007841 097295
In-ceiling, white.....	4007841 097271
In-ceiling, black.....	4007841 097301

**KNX V4.0**

Concealed, white.....	4007841 097196
Concealed, black.....	4007841 097226
Surface, white.....	4007841 097202
Surface, black.....	4007841 097233
In-ceiling, white.....	4007841 097219
In-ceiling, black.....	4007841 097240

**PD IR 4360-24 (Multisensor, Ø24 m)**  
*(Available in Q3 2026)*

**DALI-2 IPD**

Concealed, white.....	4007841 097073
Concealed, black.....	4007841 097103
Surface, white.....	4007841 097080
Surface, black.....	4007841 097110
In-ceiling, white.....	4007841 097097
In-ceiling, black.....	4007841 097127

**DALI-2 IPD 230V**

Concealed, white.....	4007841 097011
Concealed, black.....	4007841 097042
Surface, white.....	4007841 097028
Surface, black.....	4007841 097059
In-ceiling, white.....	4007841 097035
In-ceiling, black.....	4007841 097066

**KNX V4.0**

Concealed, white.....	4007841 097134
Concealed, black.....	4007841 097165
Surface, white.....	4007841 097141
Surface, black.....	4007841 097172
In-ceiling, white.....	4007841 097158
In-ceiling, black.....	4007841 097189

# nexx.IS PRO series.

## Its eagle eye sees more.

- Even closer monitoring of access areas: ideal solution for building entrances and facades
- Eagle Eye technology doubles the individually adjustable detection range when walking towards the sensor
- In COM1 interface with max. 600 W power (LED-ready)
- With the uDIM interface, soft light start and basic light are now also available for conventional luminaires. Prerequisite: the light source must be dimmable
- With the uDIM interface, soft light start and basic light can now also be used with conventional luminaires. Prerequisite: the light source must be dimmable
- Sensor family with three detection ranges: wall mounting 130° or 270° and ceiling mounting with 360°, optionally as surface-mounted or recessed version
- Commissioning, settings, and networking via Bluetooth Mesh
- Extensive connect functions, such as control of connected outdoor lights, definition of timer programs, and integration of wireless push buttons



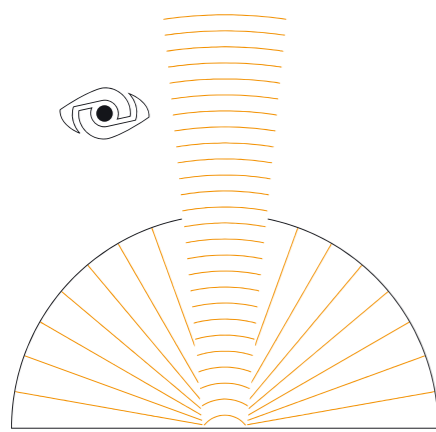
MD IR N130/270



MD IR N360  
Ceiling  
installation



MD IR N360  
Surface-  
mounted



Patented Eagle Eye Technology



Bluetooth Mesh	Setting via app	max. 6,00 m	130°	270°	360°
		<b>Technical data MD IR N130/ 270</b> Dimensions ..... 116 x 116 x 42 mm Sensor type ..... Infrared Mounting height ..... 1.80 – 3.00 m Angle of coverage ..... 130°/270° Reach Tangential ..... max. 13 m Reach Radial Radius ..... max. 3 m Mounting type ..... Wall Corner wall bracket ..... optional/ included		<b>Technical data MD IR N360</b> Dimensions Surface-mounted .. 80 x 93 mm Dimensions In-ceiling ..... 80 x 74 mm Sensor type ..... Infrared Mounting height ..... 1.80 – 4.00 m Angle of coverage ..... 360° Reach Tangential ..... 13 m Reach Radial Radius ..... 6 m Mounting type ..... Ceiling	
max. 13 m	2 – 2000 lx	<b>Order details MD IR N130</b> COM1, white ..... 4007841 069056 COM1, anthracite ..... 4007841 069032		<b>Order details surface-mounted</b> COM1, white ..... 4007841 080006 COM1, anthracite ..... 4007841 079888 uDIM, white ..... 4007841 080068 uDIM, anthracite ..... 4007841 080044	
		<b>Order details MD IR N270</b> COM1, white ..... 4007841 079819 COM1, anthracite ..... 4007841 079796 uDIM, white ..... 4007841 079871 uDIM, anthracite ..... 4007841 079857		<b>Order details ceiling installation</b> COM1, white ..... 4007841 080587 COM1, anthracite ..... 4007841 087432 uDIM, white ..... 4007841 080600 uDIM, anthracite ..... 4007841 087456	
IP54	Eagle Eye detection	<b>COM1</b> Mains connection ..... 220 – 240 V, 50/60 Hz Switching load ..... max. 600 W LED			
		<b>uDIM</b> Mains connection ..... 220 – 240 V, 50/60 Hz Switching load ..... 5-100 W LED Dimming ..... Phase start/end			

# The future of light.

Because not all light is the same, we have the right lighting solution for every application in our programme. What's more, thanks to Connected Lighting, various luminaires can be connected to intelligent lighting systems impressively quickly and surprisingly easily via Bluetooth Mesh.

Whether as a stand-alone solution or as an intelligently networked and resource-saving lighting system - our lighting solutions make all the difference. And combine simple handling with high lighting comfort, outstanding energy efficiency and exemplary sustainability.

Discover our latest lighting highlights.

**Welcome to the future.**

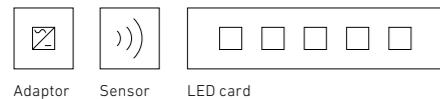
# RS PRO 6100/6150 circular SC

## Groundbreaking efficiency and sustainability.

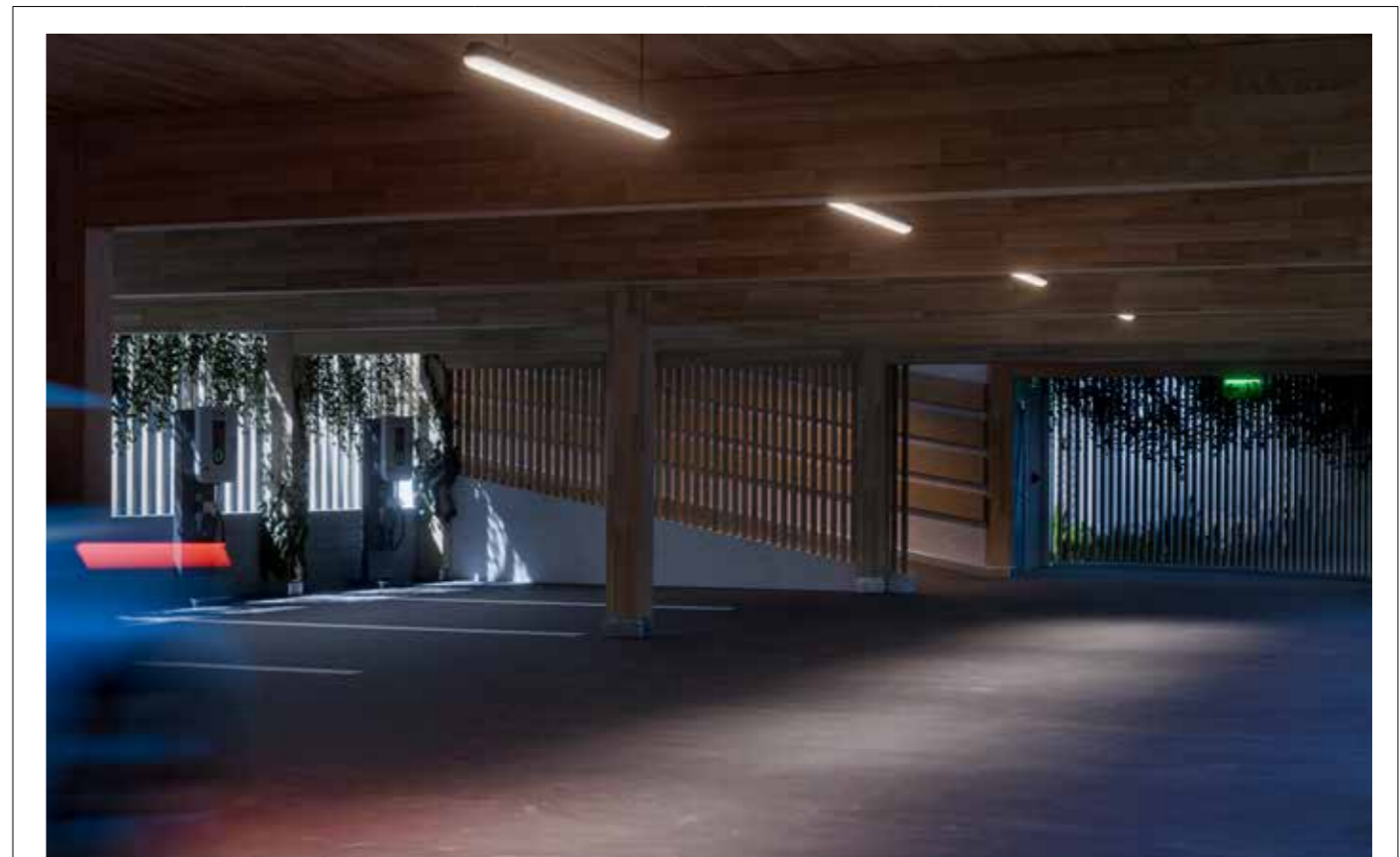
- Long-field luminaire, 1200 mm, with integrated digital high-frequency sensor
- Ideal for renovating parking garages, halls, or garages
- Up to 98% recycled plastic
- 360° motion detection with ø8 m range, 3-wire through-wired
- Precise adjustment of range and sensitivity
- Excellent repairability: power supply, sensor, and LED card are replaceable
- Robust with IP65 protection and IK08 impact resistance
- All settings and networking via the free STEINEL Connect app
- Suitable for connection to a central battery

Bluetooth MESH HFdigital24

Exchangeable components



RS PRO 6150 SC



<p>Bluetooth Mesh</p>	<p>Set via app</p>	<p>max. 3,50 m</p>	<p>360°</p>	<p><b>Technical data</b></p> <p>Dimensions 6100 SC ..... 1.200x90x80 mm                  Dimensions 6150 SC ..... 1.500x90x80 mm                  Power supply ..... 220 – 240 V, 50/60 Hz                  Application ..... Wall, ceiling                  Light color ..... 4000 K                  Power (6100) ..... 31 W, 146 lm/W                  Luminous flux (6100) ..... 4525 lm                  Power (6150) ..... 42 W, 144,9 lm/W                  Luminous flux (6150) ..... 6086 lm                  Color rendering ..... Ra ≥ 80                  LED cooling system... Passive-Thermo-Control                  LED service life ..... 60.000 h                  Sensor type ..... High frequency, 24 GHz                  Electronic scalability ..... Yes                  Range ..... ø8 m                  Detection angle ..... 360°                  Twilight setting ..... 2 – 2.000 lx                  Time setting ..... 5 sec. – 60 min.                  Basic light ..... 10 – 100 %                  Main light ..... 10 – 100 %                  Continuous light ..... switchable                  Soft light start ..... Yes                  Impact resistance ..... IK08                  Emergency light .... Single or central battery</p>
<p>max. ø8 m</p>	<p>2 – 2.000 lx</p>	<p>5 sec. – 60 Min</p>	<p>Basic light</p>	
<p>Main light</p>	<p>Soft start</p>	<p>IP65</p>	<p>IK08</p>	
			<p>Simple repair</p>	
<p><b>Order details</b></p> <p>RS PRO 6100 circular SC ..... 4007841 089832                  RS PRO 6100 circular SC EM.. 4007841 089849                  RS PRO 6150 circular SC ..... 4007841 089856                  RS PRO 6150 circular SC EM.. 4007841 089863</p>				

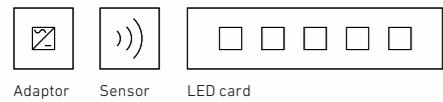
# RS PRO 5500/5550 SC

## Attractive linear luminaires – visually, technically, and energetically.

- Ideal for passageways and office environments
- 24 GHz digital high-frequency technology
- Precise range adjustment and strong detection sensitivity
- Commissioning and settings via the free Steinel Connect app
- Bluetooth Mesh networking for maximum energy savings and comfort through swarm intelligence
- Maximum durability thanks to excellent reparability
- Advantageous installation thanks to flexible cable routing options
- Suitable for connection to central battery systems

Bluetooth MESH HFdigital24

Exchangeable components



RS PRO 5500 SC





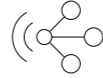



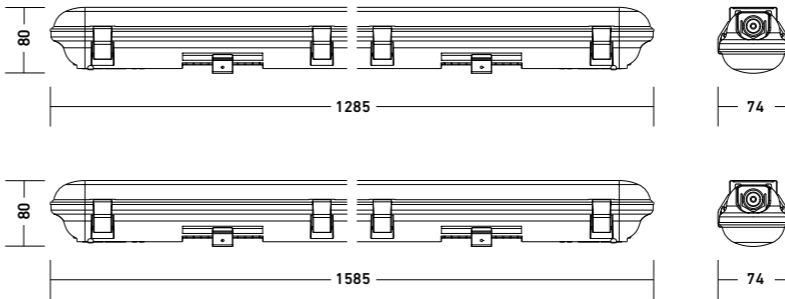
<p>Bluetooth Mesh</p>	<p>Set via app</p>	<p>max. 4,00 m</p>	<p>360°</p>	<p><b>Technical data</b></p> <p>Dimensions 5500 SC.....1.200 x 164 x 75 mm                  Dimensions 5550 SC.....1.500 x 164 x 75 mm                  Power supply.....220 – 240 V, 50/60 Hz                  Application.....Wall, ceiling                  Power (5500).....31 W, 143,8 lm/W                  Luminous flux (5500).....4458 lm                  Power (5550).....42 W, 143,9 lm/W                  Luminous flux (5550).....6047 lm                  Color rendering.....Ra ≥ 80                  LED cooling system.....Passive-Thermo-Control                  LED-service life.....60.000 h                  Sensor type.....High frequency, 24 GHz                  Electronic scalability.....Yes                  Range.....Ø 8 m                  Detection angle.....360°                  Twilight setting.....2 – 2.000 lx                  Time setting.....5 sec. – 60 min.                  Basic light.....10 – 100 %                  Mail light.....10 – 100 %                  Continuous light.....switchable                  Soft light start.....Yes                  Impact resistance.....IK07                  Emergency light.....Single or central battery</p> <p><b>Order details</b></p> <p><b>RS PRO 5500</b></p> <p>SC WW, 5-core.....4007841 087289                  SC EM WW, 5-core.....4007841 087272                  SC NW, 5-core.....4007841 086084                  SC EM NW, 5-core.....4007841 086862                  SC WW, 3-core.....4007841 091514                  SC NW, 3-core.....4007841 091507</p> <p><b>RS PRO 5550</b></p> <p>SC WW, 5-core.....4007841 087302                  SC EM WW, 5-core.....4007841 087296                  SC NW, 5-core.....4007841 086091                  SC EM NW, 5-core.....4007841 086879                  SC WW, 3-core.....4007841 091590                  SC NW, 3-core.....4007841 091521</p>
<p>max. Ø 8 m</p>	<p>2 – 2.000 lx</p>	<p>5 sec. – 60 min</p>	<p>10-100%</p> <p>Basic light</p>	
<p>10-100%</p> <p>Main light</p>	<p>Soft start</p>	<p>IP44</p>	<p>IK07</p>	
			<p>Simple repair</p>	

# RS PRO 3100/3150 S

## Professional-grade technology.

- Long-field luminaire, 4000 K in two sizes for switching lights
- Ideal for parking garages, halls, or garages
- Digital high-frequency sensor concealed inside the luminaire
- 360° motion detection with a range of ø6 m, 3-wire through-wiring
- Robust with IP65 protection and IK08 impact resistance
- Sensor with master-slave and master-master functionality
- Light can be adjusted either via DIP switch or remote control
- BEG-eligible with 121 lm/W



 <p>360° high-frequency sensor</p>	 <p>max. ø 6 m Range</p>	 <p>Wired networking</p>	<p><b>Technical data</b></p> <p>Luminous flux 3100..... 28 W / 3400 lm                  Luminous flux 3150..... 39 W / 4700 lm                  Color rendering..... 4000 K                  Dimensions 3100..... 1285 x 74 x 80 mm                  Dimensions 3150..... 1585 x 74 x 80 mm                  Mounting height..... max. 3.50 m                  Degree of protection..... IP65 / IK08</p> <p><b>Order details</b>                  (Available in Q3 2026)</p> <p>RS PRO 3100 S..... 4007841 093952                  RS PRO 3100..... 4007841 093969                  RS PRO 3150 S..... 4007841 093976                  RS PRO 3150..... 4007841 093983</p>
 <p>2 – 2000 Lux</p>	 <p>IP65</p>	 <p>IK08</p>	
			

# XLED PRO Expanse SC

## Panoramic light with intelligent sensor technology.

- Wide-angle panoramic illumination thanks to three powerful LED panels – ideal for courtyards and driveways
- Eagle Eye technology extends the individual detection range for frontal movement towards the sensor by up to 200%
- Commissioning, configuration and networking via Bluetooth Mesh
- Comprehensive Connect functions, including control of connected outdoor lights, time-based programs and integration of wireless switches
- High light output with 1642 lumens, 15.1 W in warm white (3000 K)
- Reliable motion detection with 270° detection angle and up to 12 m reach
- Fully adjustable floodlight head – swivelling, tilting and lockable
- Robust design with IP54 protection and IK03 impact resistance

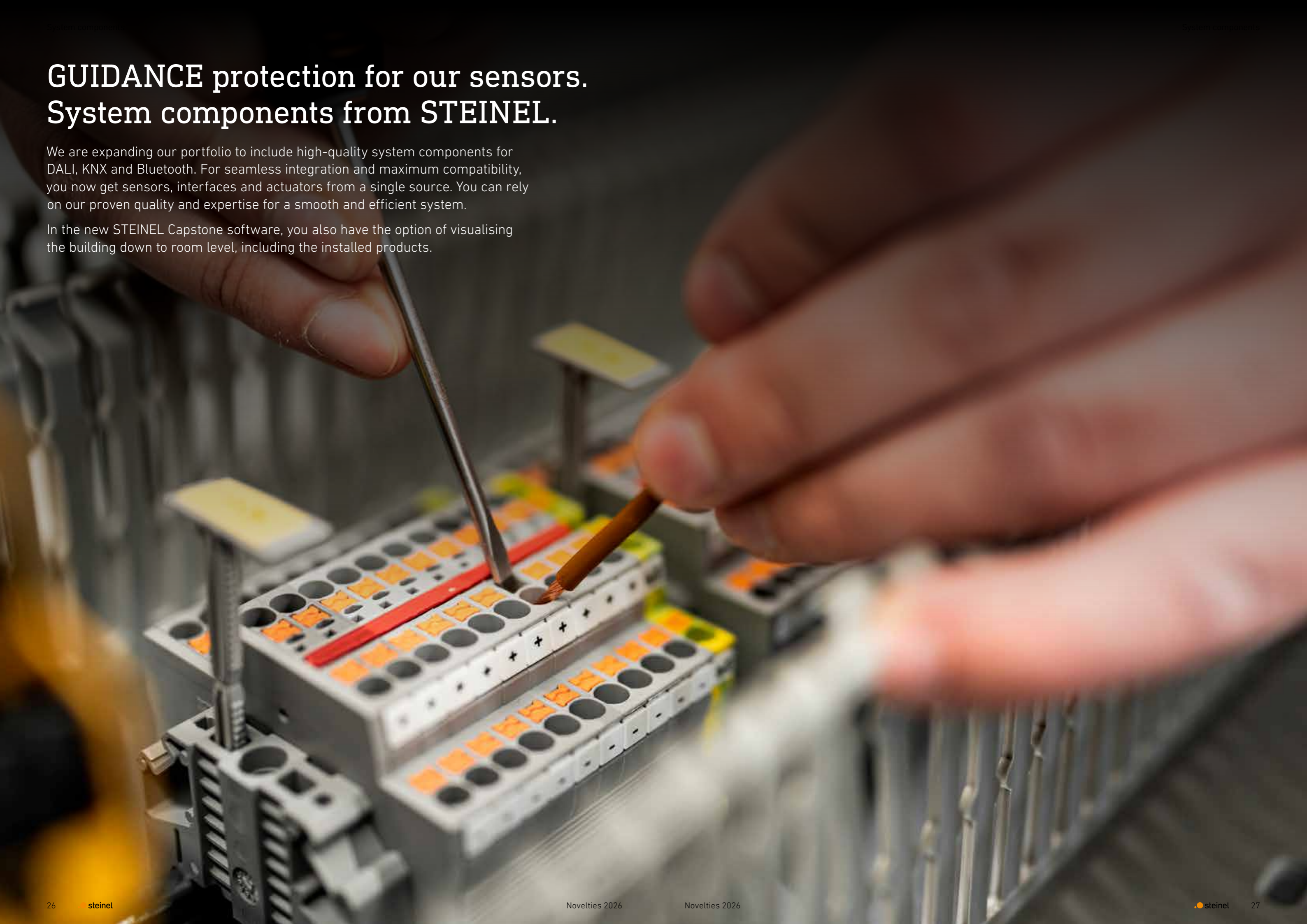


<p>Bluetooth MESH</p>	<p>Set via app</p>	<p>max. 6.00 m</p>	<p>270°</p>	<p><b>Technical data</b></p> <p>Dimensions (L x B x H)..... 195 x 195 x 198 mm</p> <p>Power.....220 – 240 V / 50 – 60 Hz</p> <p>Luminous flux.....15,1 W, 109 lm/W</p> <p>Total luminous flux.....1642 lm</p> <p>Color rendering .....3.000 K</p> <p>Time setting.....5 sec. – 60 min.</p> <p>Basic lighting function .....No</p> <p>Mounting height max. ....6,00 m</p> <p>Twilight switch.....Yes</p> <p>Twilight setting.....2 – 2.000 lx</p>	
<p>max. Ø 12 m</p>	<p>2–2.000 lx</p>	<p>5 sec. – 60 min</p>	<p>LED</p> <p>30 years (Ø 4,5 h / day)</p>		<p><b>Order details</b></p> <p><b>LED STRAHLER XLED PRO EXPANSE SC</b></p> <p>anthracite .....4007841 093938</p> <p>white .....4007841 093945</p> <p><b>LED STRAHLER XLED PRO EXPANSE S</b></p> <p>anthracite .....4007841 091200</p> <p>white .....4007841 091217</p> <p><b>LED STRAHLER XLED PRO EXPANSE</b></p> <p>anthracite .....4007841 091224</p> <p>white .....4007841 091231</p>
<p>Eagle Eye</p>	<p>Wired networking</p>	<p>IP54</p>	<p>IK03</p>		

# GUIDANCE protection for our sensors. System components from STEINEL.

We are expanding our portfolio to include high-quality system components for DALI, KNX and Bluetooth. For seamless integration and maximum compatibility, you now get sensors, interfaces and actuators from a single source. You can rely on our proven quality and expertise for a smooth and efficient system.

In the new STEINEL Capstone software, you also have the option of visualising the building down to room level, including the installed products.



# From the control cabinet to the room.

- Cross-system control
- Sensors, actuators, and system components from a single source
- Extensive range of motion and presence detectors for indoor and outdoor use
- Smart Space sensors for human-centric buildings
- KNX Data Secure
- 5-year warranty



## System Devices

The centrepiece of the system, the secret stars. Nothing works without them, no bit goes over the bus without them.



**P640 KNX**  
Power Supply 640mA  
EAN 4007841 084882



**P1280 KNX**  
Power Supply 1280mA  
EAN 4007841 085667



**DALI64 KNX-S**  
1-ch DALI-Gateway  
EAN [4007841 089207](#)



**DALI128 KNX-S**  
2-ch DALI-Gateway  
EAN [4007841 089214](#)



**USB100 KNX**  
USB Interface  
EAN 4007841 085674



**ALC100 KNX-S**  
Area/Line Coupler  
EAN 4007841 085643



**DIM4 KNX-S**  
4-ch Dimming Actuator  
EAN [4007841 089191](#)



**UA24 KNX-S**  
24/12-ch Universal Actuator  
EAN [44007841 089184](#)



**IP1100 KNX-S**  
IP-Interface  
EAN 4007841 095963



**IPR500 KNX-S**  
Area/Line Coupler  
EAN 4007841 095956



**HA6 KNX-S**  
6-ch Heating actuator  
EAN 4007841 095949



**DA10V KNX-S**  
Dimming/switching actuator  
EAN 4007841 095970

# KNX V4.0

With its extended functions, our KNX application 4.0 is the ideal solution for smart buildings of all kinds. Welcome to the era in which innovation and technology redefine the limits of what is possible. KNX Data Secure makes our sensors a little more secure from V4 onwards. Secure? Secure!

- **KNX Data Secure**
- **Threshold switch with various output types such as bit, byte, RGB, and scene**
- **Directly controllable LED, e.g., traffic light, night light, or status**
- **Implemented actuator status with dead time**
- **Temporary automatic switch-on in semi-automatic mode**
- **dB volume measurement for multi-sensors**
- **Automatic time-based release of locks**

## Universal Actuators

Switching or shutter function can be set. As a shutter actuator, the neighbouring outputs (A1/A2, A3/A4...) form a shutter channel. Bistable 16A relay.



**UA6 KNX-S**  
6/3-ch Universal Actuator  
EAN [4007841 089160](#)



**UA16 KNX-S**  
16/8-ch Universal Actuator  
EAN [4007841 089177](#)



**UI2 KNX-S**  
Universal interface Secure  
EAN [4007841 089221](#)



**UI4 KNX-S**  
Universal interface Secure  
EAN [4007841 089238](#)



**UI8 KNX-S**  
Universal interface Secure  
EAN [44007841 089245](#)

# DALI-2 system components

The range of functions of DALI-2 has increased significantly compared to its predecessor. The integration of push-buttons, dimmers and relays opens up new possibilities in building and lighting control. With the STEINEL system components, we have 100 % compatibility as standard and you now get everything from a single source: sensors, actuators and repeaters.



#### Push-button coupler PC4-DALI2

- Integration of up to four commercially available standard push-buttons
- Installation in flush-mounted box
- Functions freely programmable via app

EAN 4007841 082123

#### Rotary dimmer RDIM-DALI2

- Intuitive switching and dimming of the lighting
- IPD for connection to DALI-2 APC
- Dimming proportional to the rotation speed

EAN 4007841 082130

#### Relay REL5A-DALI2

- Integration of circuits into the DALI control system, e.g. panel light
- Installation in flush-mounted box

EAN 4007841 082109

#### PB2 / PB4-Wireless pushbutton

- Can be used anywhere, no power supply required
- Flexible and easy to retrofit and convert
- Customised control of Bluetooth Mesh products
- Screw and adhesive mounting possible

PB2 | EAN 4007841 084653

PB 4 | EAN 4007841 084660

#### Push-button coupler PC4-Bluetooth

- Integration of up to four commercially available standard push-buttons
- Installation in flush-mounted box
- Functions freely programmable via app

EAN 4007841 067342

#### Rotary dimmer RDIM-Bluetooth

- Intuitive switching and dimming of the lighting
- Dimming proportional to the rotation speed

EAN 4007841 067328



#### Repeater REP-DALI2

- Additional power supply for the DALI line to fully utilise the number of devices
- Bidirectional communication for installing additional DALI-2 IPDs

EAN 4007841 082116

#### Powersupply PS-BRC 64

- Extension of the DALI line by additional devices
- Up to 64 additional devices possible
- Unidirectional broadcast control from repeater possible

EAN 4007841 084981

#### Relay REL5A-Bluetooth

- Integration of switched loads into the Bluetooth Mesh system
- Installation in flush-mounted box

EAN 4007841 067335

#### Gateway Bluetooth-IP

- Connection of Bluetooth Mesh systems to IP networks via MQTT
- Transmission of status information of the lights and sensors
- Remote settings and override possible

EAN 4007841 091309

#### Gateway Bluetooth-DALI

- Integration of DALI luminaires into the Bluetooth Mesh system
- No cable required between sensor and DALI luminaire
- Broadcast up to 64 luminaires

EAN 4007841 067311

# Bluetooth system components

Bus functionality during renovation - without any new cables. This is now possible with STEINEL Bluetooth components. The latest mesh version of the proven wireless technology sets completely new standards and is used wherever simple modernisation needs to be implemented quickly and cleanly.



# STEINEL LiveLink. User-friendly multi-room light management.

Lighting management offers companies across all sectors enormous opportunities - for example to reduce costs, increase lighting quality and employee satisfaction and achieve their own sustainability goals. And with the new STEINEL LiveLink® app, installation and operation are easier and safer than ever before. The result: real plug and play lighting management at the click of a button.

Whether in huge logistics halls, glazed office complexes, universities or underground car parks - energy-efficient lighting with light management is an enormous benefit in all applications. Users can also flexibly adapt the light to their individual preferences and different work tasks. The new STEINEL LiveLink® app was developed in close cooperation with customers and users to guarantee the best possible commissioning of the light management system. With many innovative features, light management becomes a simple and safe affair.



**Control unit LiveLink WiFi**

- DALI-2 APC max. 64 participants
- Commissioning via WLAN and app

EAN 4007841 013653



**DIN rail controller LiveLink LAN DR**

- DALI-2 APC max. 64 participants
- Commissioning via Wlan and app
- Connection to higher-level systems via MQTT

EAN 4007841 055455

## Maximum convenience. Minimal installation effort.

LiveLink is ready for operation and fully functional from the very first start. All system participants are recognised automatically and can be easily adapted to the individual project via the user-friendly STEINEL LiveLink® app. Practical: the system can be configured by the installer in any order. The functionality is always retained.

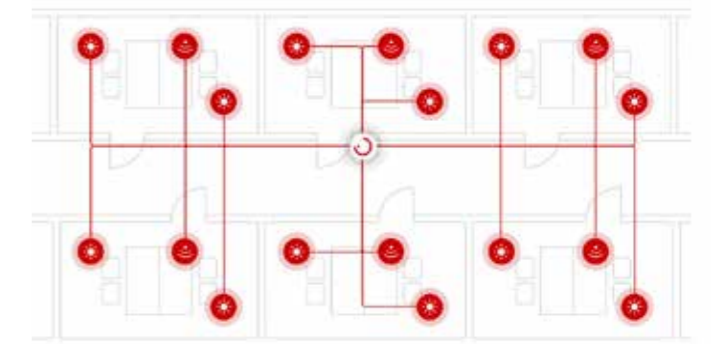


## More flexibility. More light quality.

Intelligent lighting management improves the quality of light and increases visual comfort. STEINEL LiveLink® offers numerous preset features such as Human Centric Lighting and functions for daylight-dependent control and presence control. Lighting scenes can also be flexibly programmed and called up at the touch of a button, either via push-button or app. This means: always exactly the right light for the various tasks and individual requirements.

## Multiroom. One controller, many options.

With the STEINEL LiveLink® app, lights can be individually grouped and controlled. The newly integrated multi-room function enables both individual control of individual rooms and centralised, cross-room control. This optimises the utilisation of a DALI-Line and simplifies commissioning, as only one controller is required.

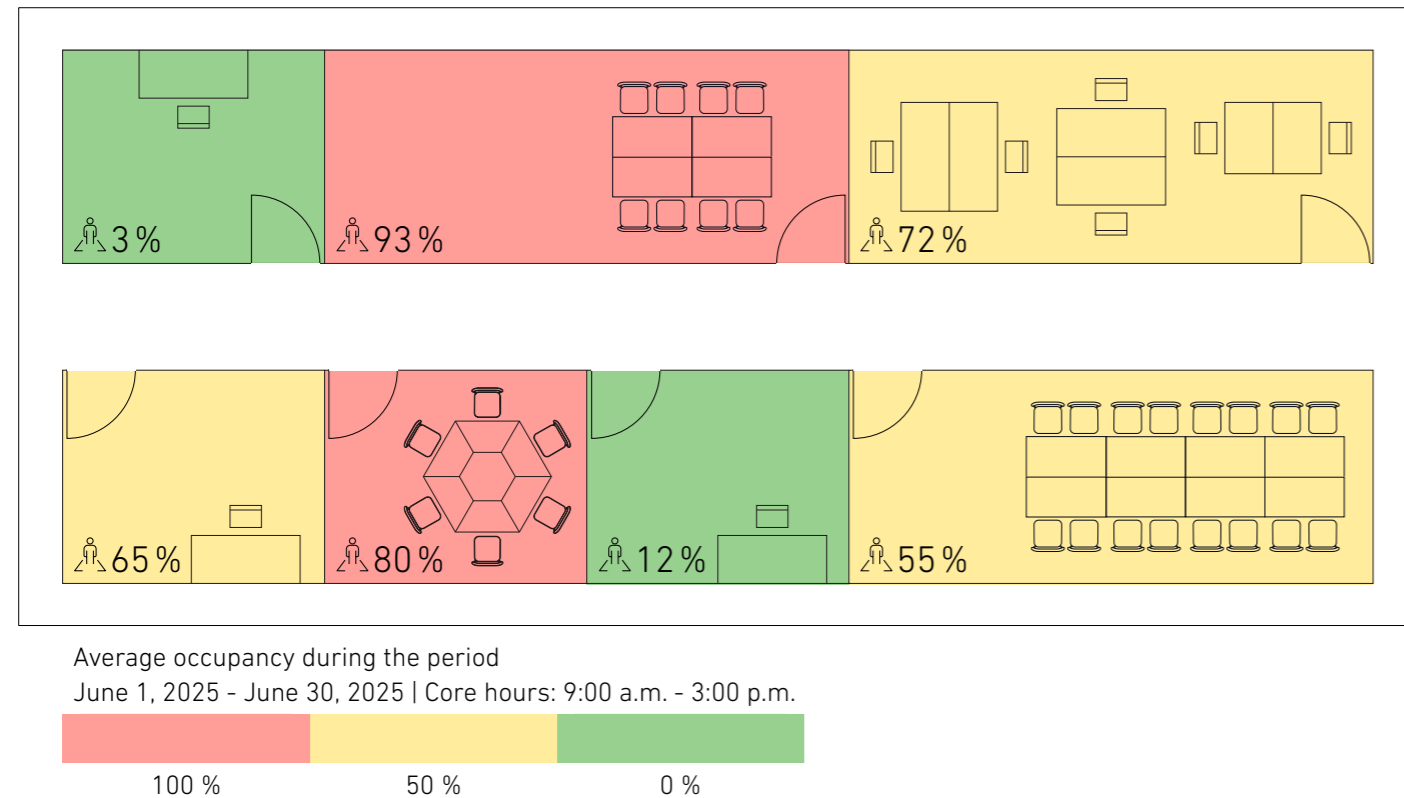


STEINEL LiveLink® is available on all platforms and devices (iOS and Android) and replaces the previously common app solutions LiveLink Install and LiveLink Control. Systems that have already been installed are recognised by STEINEL LiveLink® and transferred with all configuration details.

# Capstone – What you always wanted to know about your building.

Capstone is an innovative platform for real-time insight and visualization of building data. Sensors record values such as presence, light, temperature, air quality, and energy consumption. Data analysis helps operators, facility managers, and planners save energy, reduce costs, and increase comfort. Capstone stands for greater transparency, higher efficiency, and future-oriented building use—today and tomorrow.

## Evaluation and visualization - Example: Office



# This is possible with Capstone



Optimization of space utilization



More efficient use of energy



Improvement of lighting control



High CO<sub>2</sub>-savings



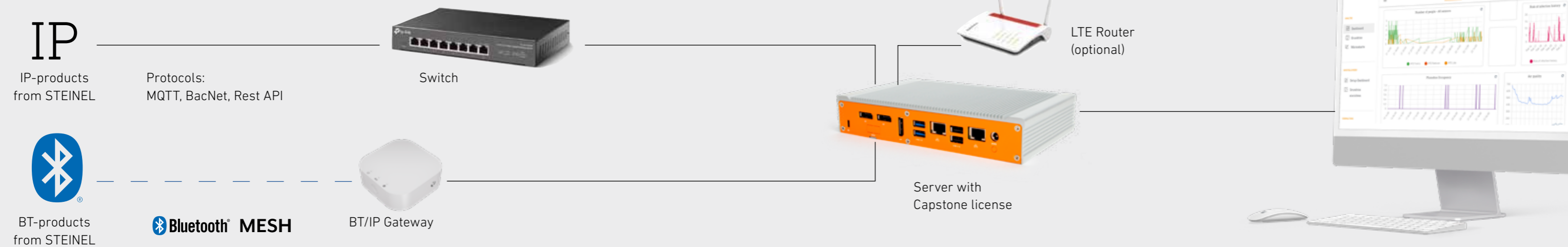
Fine-tuning the ventilation



Noise level analysis

- **Visualization:** Custom floor plans and diagrams in selectable formats enable detailed processing of the sensor measurements recorded in the building.
- **Central monitoring:** Whether remote or in-house, the individually configurable Capstone Dashboard provides a comprehensive overview of all connected devices and measured values, such as **temperature, humidity, CO<sub>2</sub>, VOC, noise, smoke, presence, brightness, and number of people.**
- **Device management:** A central device overview shows the status of all connected devices in real time, including operating data and any error messages.
- **Alarm function:** Integrated alarms provide information in the event of malfunctions or deviations from specified limit values, enabling immediate action to be taken.
- **Reporting function:** Creation of reports on various systems such as energy consumption, device utilization, or climate data for analysis and optimization.

**Everything from a single source:** STEINEL supplies all relevant components, from IP products, Bluetooth products, switches, gateways, and routers to servers.



STEINEL GmbH  
Dieselstraße 80-84  
33442 Herzebrock-Clarholz  
Germany

Telefon +49 (0) 5245-448-0  
[www.steinel.de](http://www.steinel.de)  
[youtube.com/steinelgmbh](https://youtube.com/steinelgmbh)

**Inquiries**

[international@steinel.de](mailto:international@steinel.de)

